

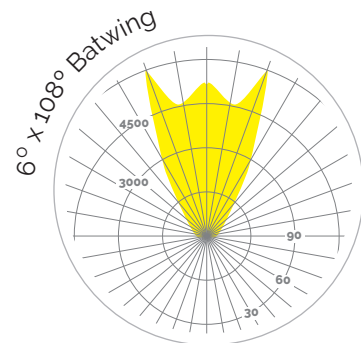
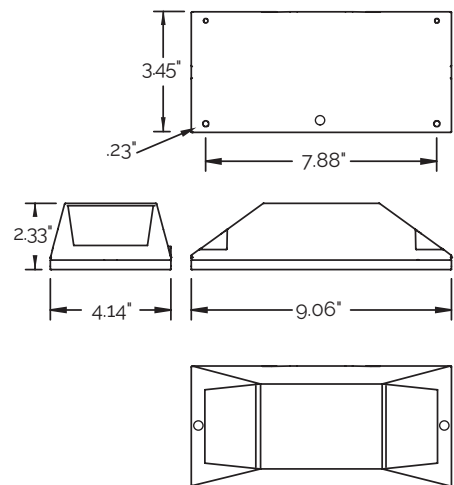


Arclux Mini

LED Window Reveal Luminaire

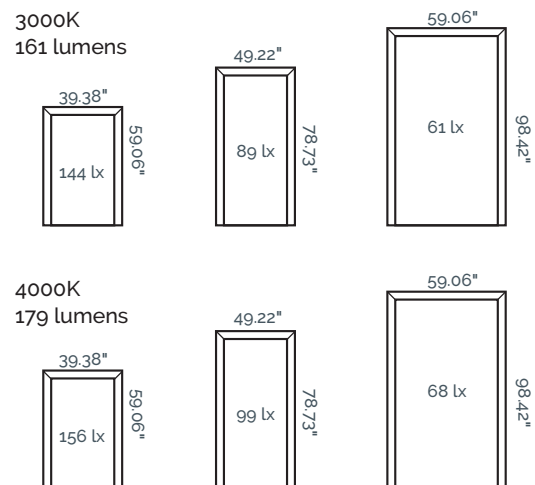


An efficient luminaire for creating a uniform arc of light to accent window reveals



FEATURES

- A complete window reveal can be illuminated using one luminaire.
- Light from two LEDs is directed from opposite sides of the luminaire via proprietary reflectors.
- Available in white or single color blue
- 2 x 2W high performance LEDs
- Integral driver at 120V AC input voltage
- External dimming driver available. Consult factory for details.
- Up to 180 lumen output
- Up to 45 lumens/Watt efficacy
- CRI 80+
- IP67 & IK08 Rated



MARC-MI

ORDERING

MARC-MI	04		06	N		
PRODUCT	POWER	LED COLOR	OPTICS	CONTROL	FINISH	ACCESSORY
MEYER Arclux Mini Window Reveal Luminaire	04 2 x 2W LED	830 3000K White 840 4000K White BLU BLUE	06 6°x 180° Beam Angle	N Non- dim	B Black W White S Silver ¹ <small>¹ Premium color</small>	MARC-MI-M Mounting Plate

CONSTRUCTION

- Corrosion-resistant die cast aluminum housing with polyester powder coat finish
- All exterior parts are stainless steel
- Tempered high transmission safety glass, silicon gasket
- M20 cable gland

ELECTRICAL

- Integral driver at 120V AC Input voltage
- Power Consumption: 4W
- Factory prewired with a 6ft wire whip
- External dimming driver available. Consult factory for details.

SIZE AND MOUNTING

- Unit size: 9.06" Length x 4.14" Width x 2.33" Height
- Mounting holes in base of luminaire
- Weight = 2.43 lbs (1.10kg)

LEDS

- 2 x 2W high performance LED in 3000K, 4000K or single color blue
- 6° x 180° beam angle
- Consult factory for 2700K or other color temperatures
- Red, green, or amber available upon request

FINISHES

- Polyester powder coat in Black, White and Silver¹
¹ premium color

COMPLIANCE

- ETL Listed
- IP67, IK08 Rated
- LM79 Tested, LM70 (50,000 hours)

WARRANTY

- 3 year limited warranty.
- Complete warranty terms available at thelightingquotient.com